

Delivery Forecast EDIFACT DELFOR D96.A

Document Change Log

Version	Date	Description
1.0	2002.09.01	Document issued.
1.2	2002.10.23	Document issued.
1.3	2003.1.21	Document issued.
2.0	2008.05.26	Document issued.
2.1	2008.05.29	Change Functional Definition Pág.3.
2.2	2009.11.16	To add PIA segment to inform the Engineering Level
2.3	2011.03.15	Plant Code List added
2.4	2011.09.29	Character Set changes to UNOC
2.5	2011.11.22	Fixed LOU, IDS and STP Mailboxes. Deleted PSO. Added ITP.
2.6	2011.12.02	Segment LOC+159 changes to Optional.
3.0	2013.11.15	Removed the list Plant Codes. Referenced to EDI Form

Issued by: G.Antolin

Distribution: G.Antolin

Copyright in this work is vested in G.A. and all information contained in this document is the sole property of G.A. This document must not be reproduced in whole or in part without written consent from G.A.



0. TABLE OF CONTENT

0. table of CONTENT	2
1. INTRODUCTION	3
2. message definition	3
2.1. FUNCTIONAL DEFINITION	3
2.2. PRINCIPLES	3
2.3. REFERENCES	3
2.4. FIELD OF APPLICATION	4
3. Message Description	4
3.1. introduction	5
3.1.1. How to read the documentation	5
3.1.2. General remarks	6
3.2. SEGMENT TABLE	7
3.3. BRANCHING DIAGRAM	8
3.4. message STANDARD DESCRIPTION	10
3.5. message structure	13
3.6. SERVICE SEGMENTS DESCRIPTION	14
3.7. DATA SEGMENTS DESCRIPTION	18
3.8. EXAMPLE OF MESSAGE	36
GRUPO ANTOLIN PLANT CODES	39

1. INTRODUCTION

This document provides the specific description of the EDIFACT DELFOR D96.A message.

2. MESSAGE DEFINITION

This document provides the definition of a Delivery Instruction Message, based on the EDIFACT DELFOR D96.A, to be used in Electronic Data Interchange (EDI) between a G.A. Operating Company and its Trading Partners.

This documentation is fully comprehensive and allows the implementation of the EDIFACT DELFOR without the necessity for any additional standard related documentation.

2.1. FUNCTIONAL DEFINITION

The Delivery Instruction message is a message from G.A. to a G.A. Supplier giving details for both short and long term material requirements in line with the conditions set out in the purchase contract.

This message may be used as planning forecast and shipping instruction.

2.2. PRINCIPLES

The Delivery Instruction message is intended to:

- specify requirements based on the delivery conditions.
- define the aspects that guarantee synchronisation between G.A. and the Supplier.
- provide information allowing the Supplier to plan for future requirements, to purchase raw materials.

2.3. REFERENCES

The content of this message is based on:

- the message structure as defined by EDIFACT for the Delivery Schedule Message DELFOR as published in the UN/EDIFACT D96.A Directory.
- the agreement between the Trading Partners on the data elements to be used, their unique definition, their representation and their values (coded or clear form) as identified in this document.
- although the DELINS subset defined by ODETTE has been based on the EDIFACT D96.A Directory which is not upward compatible with the D96.A Directory, the subset defined by Grupo Antolín and described in this document follows as close as possible the structure of the ODETTE subset.

2.4. FIELD OF APPLICATION

The following definition of a Delivery Instruction Message in EDIFACT format is applicable for the interchange of delivery instructions issued by G.A. for material deliveries to one or more G.A. Operations.

3. MESSAGE DESCRIPTION

Following pages contain a full description of the EDIFACT DELFOR D96.A message as implemented by Grupo Antolín. The segments included are only the used in the interchange with Grupo Antolín. The official EDIFACT segment description is complemented with remarks pertaining to the specific requirements for an interchange with Grupo Antolín. Those remarks contain specific code values used, additional information on the values shown in a specific field, etc. The aim of those remarks is to simplify the implementation of the message.

3.1. INTRODUCTION

3.1.1. How to read the documentation

All segments in the subset used by Grupo Antolín are described in the following pages. The segment description is to be read as follows:

① **0020 BGM - BEGINNING OF MESSAGE**

- ② Segment group: none. Level: 1.
- ③ EDIFACT status: mandatory. G.A. status: mandatory.
- ④ Maximum use: 1 per message. G.A. occurrences: 1 per message.
- ⑤ Function: segment for the unique identification of the delivery schedule document, by means of its name and its number.
- ⑥ G.A. interchange: see remarks.
- ⑦ Example: BGM+241+12+5'
A B C

⑦	EDIFACT STANDARD DEFINITION						G.A. IMPLEMENTATION		
	REF	TAG	NAME	ST	FT	SP	ST	FT	REMARKS
⑧	A	C002	DOCUMENT/MESSAGE NAME	C			C		
		1001	Document/message name, coded	C	an..3	:	C	an..3	'241' = Delivery Schedule
		1131	Code list qualifier	C	an..3	:			
		3055	Code list responsible agency, coded	C	an..3	:			
⑨	B	1000	Document/message name	C	an..35	+			
		C106	DOCUMENT/MESSAGE IDENTIFICATION	C					
		1004	Document/message number	C	an..35	:	C	an..35	G.A. assigned release number
		1056	Version	C	an..9	:			
C	C	1060	Revision number	C	an..6	+			
		1225	MESSAGE FUNCTION, CODED	C	an..3	+	C	an..3	Function of the message. For code values see below.
		4343	RESPONSE TYPE, CODED	C	an..3	'			

⑩ **COMMENTS**

⑩ **CODE VALUES**

LEGEND

- ❶ segment position in the message structure, segment tag and segment name.
- ❷ identification (when applicable) of the segment group in which the segment is situated and indication at which level the segment is in the message.
- ❸ status of the segment: as defined by EDIFACT and by G.A..
- ❹ number of occurrences of the segment: as defined by EDIFACT and as used by G.A..
- ❺ description of the function of the segment as defined by EDIFACT and as used by G.A..
- ❻ example of the segment as it may appear in an interchange. This example is only illustrative and does not necessarily represent an actual situation. It should **NOT** be used as a basis to implement this message.
- ❼ definition of the segment content as defined by EDIFACT and as implemented by G.A..
- ❽ identification of the data elements in the segment
 - reference to the example.
 - data element tag - data elements with a 'C' denote a composite data element.
 - data element name - *italic CAPITALS* denote a composite data element.
 - **ST** - the status of the data element.
 - **FT** - the format of the data element, i.e. the indication of the number of characters (numerical or alphabetical) for this data element.
 - **SP** - the separator used between the data elements.
 - remarks on the specific use of the data element in the interchange with G.A..
- ❾ Shaded areas in the G.A. description mean that the data elements is not used by G.A..
- ❿ the segment description can be followed by:
 - comments providing more information regarding specific data elements and how they must be used and/or understood in messages from G.A..
 - code values to be used for data elements contained in the message.

3.1.2. General remarks

Following remarks are applicable for the complete documentation:

- **Dates**
Unless otherwise specified in the field explanation in the documentation, dates are always expressed as **CCYYMMDD** (qualifier 2379 = 102).
- **Times**
Unless otherwise specified in the field explanation in the documentation, times are always expressed as **HHMM**.

3.2. SEGMENT TABLE

The following table shows the segments defined for the EDIFACT UNSM DELFOR D96.A Delivery Forecast message used in the subset of DELFOR used by G.A.. This table, which should be read in conjunction with the branching diagram indicates the maximum number of occurrences for each segment.

POS.	TAG	NAME	ST	REPEATS
0010	UNH	Message header	M	1
0020	BGM	Beginning of message	M	1
0030	DTM	Date/time/period	M	10
0040		Segment group 1	C	10
0050	RFF	Reference	M	1
0070		Segment group 2	C	20
0080	NAD	Name and address	M	1
0100		Segment group 3	C	5
0110	CTA	Contact information	M	1
0120	COM	Communication contact	C	5
0130	UNS	Section control	M	1

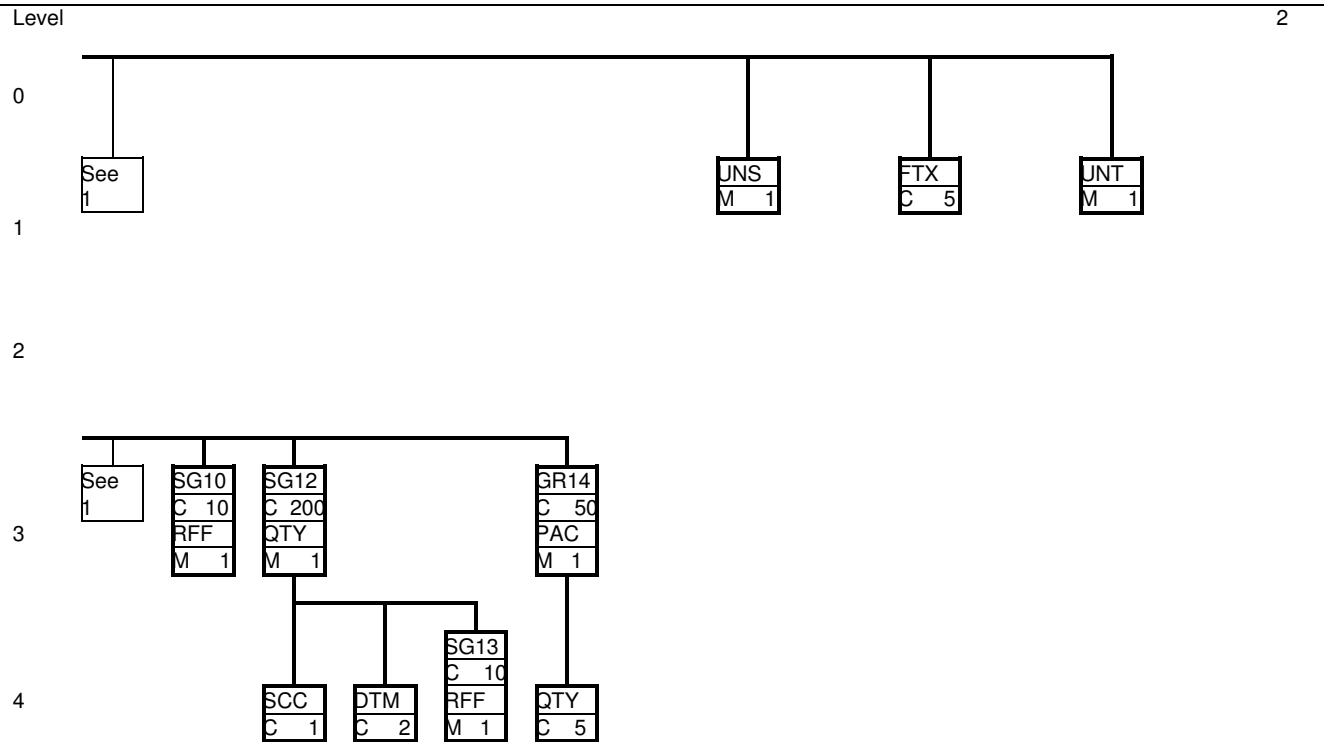
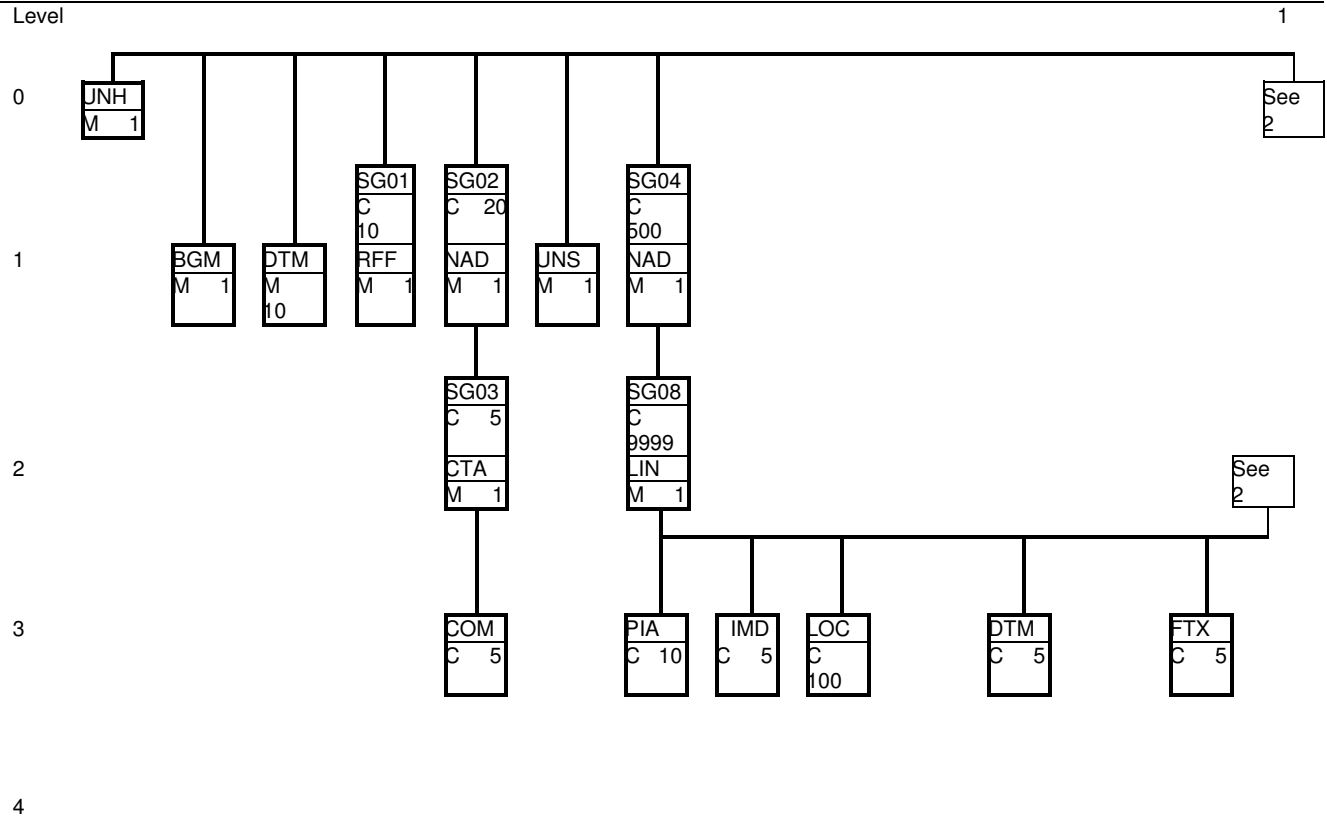
POS.	TAG	NAME	ST	REPEATS
0140		Segment group 4	C	500
0150	NAD	Name and Address	M	1
0270		Segment group 8	C	9999
0280	LIN	Line item	M	1
0390	PIA	Additional Product ID	C	1
0300	IMD	Item description	C	10
0350	LOC	Place/location identification	C	100
0360	DTM	Date/time/period	C	5
0370	FTX	Free text	C	5
0410		Segment group 10	C	5
0420	RFF	Reference	M	1
0470		Segment group 12	C	200
0480	QTY	Quantity	M	1
0490	SCC	Scheduling conditions	M	1
0500	DTM	Date/time/period	C	1
0510		Segment group 13	C	10
0520	RFF	Reference	M	1
0540		Segment group 14	C	50
0550	PAC	Package	M	1
0570	QTY	Quantity	M	5
1220	UNS	Section control	M	1
1240	FTX	Free text	C	5
1250	UNT	Message trailer	M	1

3.3. BRANCHING DIAGRAM

The branching diagram shows the structure of the message. It is a combination of various segments that are organised in a certain hierarchical order.

A segment is a pre-defined set of functionally related values (e.g., segment NAD groups all values that relate to a Party: name - address - etc.)

Each segment within the branching diagram is broken down into one or multiple data elements. Within a segment, only those data elements that contain data must appear.



NAD	←	Name of the segment
M 1	←	Number of occurrences (R = more than one occurrence)
	↑	Status (M = Mandatory - C = Conditional)

3.4. MESSAGE STANDARD DESCRIPTION

This section provides the description of the UN Standard Message DELFOR as defined in the 97.A Directory. Only the segments that are used in the subset defined by G.A. and will be further explained in section 3.6.

3.4.1 Header section

Information to be provided in the Header section:

0010 UNH, Message header

A service segment starting and uniquely identifying a message. The message type code for the Delivery schedule message is DELFOR.

0020 BGM, Beginning of message

A segment for unique identification of the Delivery schedule message by means of its name and its number and its function (original, replacement, change).

0030 DTM, Date/time/period

The DTM segment shall be specified at least once to identify the Delivery schedule message date.

0040 Segment group 1: RFF

A group of segments giving references relevant to the whole message, e.g. contract number.Account number.

0050 RFF, Reference

A segment for giving references to the whole Delivery schedule message, e.g. account number.

0070 Segment group 2: NAD-SG3

A group of segments identifying parties by their names, addresses, locations, references and contacts relevant to the whole delivery schedule.

0080 NAD, Name and address

A segment for identifying names and addresses and their functions relevant for the whole Delivery schedule. The principal parties for the Delivery schedule message shall be identified. The identification of the recipient of the goods must be given in the NAD segment in the detail section.

0100 Segment group 3: CTA-COM

A group of segments to identify person, function, or department and appropriate numbers to whom communication should be directed.

0110 CTA, Contact information

A segment to identify the person, function, or department to whom communication should be directed.

0120 COM, Communication contact

A segment identifying communication types and numbers for the person, function, or department identified in the CTA segment.

3.4.2 Detail section

Information to be provided in the Detail section:

0130 UNS, General indicator

A segment separator the header and detail section.

0140 Segment group 4: NAD

A group of segments needed to identify a delivery point and its attached information when the delivery point method is used.

0150 NAD, Name and address

A segment for identifying the consignee.

0270 Segment group 8: LIN-PIA-IMD-LOC-DTM-FTX-SG10-SG12-SG14

A group of segments providing details of the individual line items for both methods.

0280 LIN, Line item

A segment identifying the details of the product or service to be delivered, e.g. product identification. All other segments in the detail section following the LIN segment refer to the line item.

0390 PIA, Additional product id

A segment providing additional product identification.

0300 IMD, Item description

A segment for describing the product or the service to be delivered.

0350 LOC, Place/location identification

A segment identifying a specific location to which products, as specified in the LIN-Segment group, should be placed after delivery. This function should only be used with the delivery point driven method.

0360 DTM, Date/time/period

Date/time/period associated with the line item.

0370 FTX, Free text

A segment with free text in coded or clear form to give further clarification, when required, to the line item to be delivered.

0410 Segment group 10: RFF

A group of segments giving references related to the line item and where necessary, their dates.

0420 RFF, Reference

A segment for identifying references to the line item, e.g. a contract and its appropriate line item, original message number, previous message number if different per line item.

0470 Segment group 12: QTY-SCC-DTM-SG13

A group of segments specifying product quantities and associated dates related to schedules and where relevant, references.

0480 QTY, Quantity

A segment to specify scheduled quantities which may be related to schedule(s) and, or pattern established in the following DTM segment, e.g. delivery quantity for a specified date.

0490 SCC, Scheduling conditions

A segment specifying the status of the schedule. Optionally a delivery pattern can be established, e.g. firm or proposed delivery pattern.

0500 DTM, Date/time/period

A segment indicating the date/time/period details relating to the quantity.

0510 Segment group 13: RFF

A group of segments giving references related to the quantity and where necessary, their date.

0520 RFF, Reference

A segment for identifying reference to the quantity, e.g. despatch advice number.

0540 Segment group 14: PAC-QTY

A group of segments specifying the schedule information for the product identified in the LIN segment. With the delivery point driven method this segment group provides the schedule for the identified delivery point and product.

0550 PAC, Package

A segment specifying the number of package units and the type of packaging for the line item, e.g. pallet.

0570 QTY, Quantity

A segment specifying the number of products for package unit.

1220 UNS, General indicator

A segment separator the header and detail section.

1240 FTX, Free text

A segment with free text in coded or clear form to give further clarification when required.

1250 UNT, Message trailer

A service segment ending a message, giving the total number of segments in the message and the control reference number of the message.

3.5. MESSAGE STRUCTURE

The message structure illustrates how the segments will be repeated in the Delivery Forecast message to accommodate the requirements identified by Grupo Antolín.

0010.UNH	Start of Delivery Schedule Message
0020.BGM	Message identification
0030-1.DTM	Message generation date
0050.RFF	Reference to account Number
0080-1.NAD	Buyer identification
0080-2.NAD	Supplier identification
0110.[NAD].CTA	Contact information
0120.[NAD.CTA].COM	Communication contact
0080-3.NAD	Invoicing identification
0110.[NAD].CTA	Contact information
0120.[NAD.CTA].COM	Communication contact
0130.UNS	Start of detail section
0150.NAD.(1)	Ship to destination #1 identification
0280.[NAD].LIN	Article-/part number #1 identification
0390.[NAD.LIN].PIA	Additional Product Info
0300.[NAD.LIN].IMD	item description
0350-1.[NAD.LIN].LOC	Receiving dock identification
0350-2.[NAD.LIN].LOC	Line feed location id. / Material handling code
0370.[NAD.LIN].FTX	Free text related to article number
0360.[NAD.LIN].DTM	Ref. date to the information
0420.[NAD.LIN].RFF	Purchase order number
0480.[NAD.LIN.SCC].QTY	Quantity to be delivered 1
490-1.[NAD.LIN].SCC	Schedule status
0500.[NAD.LIN.SCC.QTY].DTM	Date of planned delivery 1
0480.[NAD.LIN.SCC].QTY	Quantity to be delivered 2
0490-1.[NAD.LIN].SCC	Schedule status
0500.[NAD.LIN.SCC.QTY].DTM	Date of planned delivery 2
0480.[NAD.LIN.SCC].QTY	Quantity to be delivered n
0490-1.[NAD.LIN].SCC	Schedule status
0500.[NAD.LIN.SCC.QTY].DTM	Date of planned delivery n
0480.[NAD.LIN].QTY	Quantity last reception
0520.[NAD.LIN.QTY].RFF	Last reception
0480.[NAD.LIN].QTY	Cumulative quantity received
0480.[NAD.LIN].QTY	Cumulative quantity required
0550.[NAD.LIN].PAC	Packaging information
0570.[NAD.LIN.PAC].QTY	Quantity per pack
0280-2.[NAD].LIN	Article-/part number #2 identification
...	
0280-n.[NAD].LIN	Article-/part number #n identification
...	
0150-2.NAD.(2)	Ship to destination #2 identification
0280-1.[NAD].LIN	Article-/part number #1 identification
...	
0150-n.NAD	Ship to destination #n identification
0280-1.[NAD].LIN	Article-/part number #1 identification
...	
1220.UNS	End of detail section
1240.FTX	Free Text for complete message
1250.UNT	End of message

3.6. SERVICE SEGMENTS DESCRIPTION

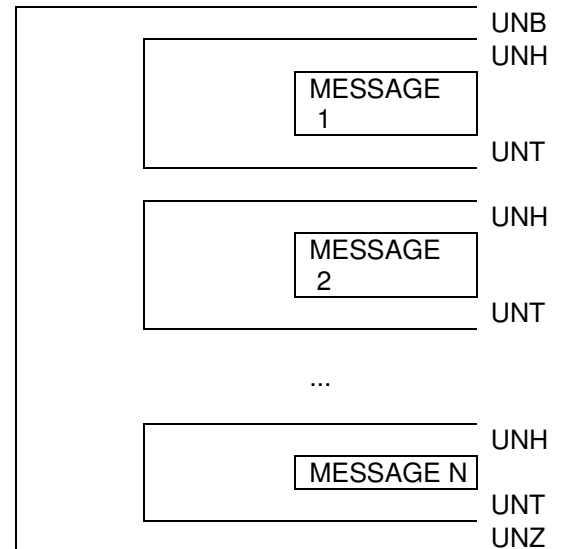
Following service segments are as defined by UN/EDIFACT and presented under ISO 9735.

The UNB, UNH, UNT and UNZ segments are the envelope of any message, enclosing all the data that is being transmitted.

The UNB (Interchange header) and UNZ (Interchange trailer) segments mark respectively the beginning and the end of an interchange thereby providing a unique interchange control reference.

Within the interchange the UNH (message header) and UNT (Message trailer) segments uniquely begin and end the various messages contained in an interchange.

EXAMPLE OF AN INTERCHANGE STRUCTURE





**GRUPO ANTOLIN
EDIFACT: DELFOR D96A**

DSI

INFORMATION SYSTEMS POLICY 080201

0000 UNB - INTERCHANGE HEADER

Segment Group: none Level: 0
 EDIFACT status: mandatory G.A. status: mandatory
 Maximum use: 1 per interchange G.A. occurrences: 1 per interchange
 Function: service segment providing the unique identification of an interchange. It allows the identification of the sender and the receiver of the interchange, gives date and time of preparation as well as the interchange control reference and the application reference.

G.A. interchange: see remarks.

Example: **UNB+UNOC:2+MBXNOG.A.+MBXNOSUPPLIER+970611:0735+123456789+++A'**

A B C D E F G H

		EDIFACT STANDARD DEFINITION				G.A. IMPLEMENTATION		
REF	TAG	NAME	ST	FT	SP	ST	FT	REMARKS
A	S001	SYNTAX IDENTIFIER	M			M		"UNOC". Indication of the syntax version used for this message. G.A. uses EDIFACT syntax version 2
	0001	Syntax identifier	M	a4	:	M	a4	
B	0002	Syntax version number	M	n1	+	M	n1	
C	S002	INTERCHANGE SENDER	M			M		Communication code/mailbox number of the party originating the message. Qualifiers to be determined by trading partner relationship.
	0004	Sender identification	M	an..35	:	M	an..35	
	0007	Identification code qualifier	C	an..4	:	C	an..4	
	0008	Address for Reverse Routing	C	an..14	+			
D	S003	INTERCHANGE RECIPIENT	M			M		Communication code/mailbox number of the party receiving the message. Qualifiers to be determined by trading partner relationship.
	0010	Recipient identification	M	an..35	:	M	an..35	
	0007	Identification code qualifier	C	an..4	:	C	an..4	
	0014	Routing address	C	an..14	+			
E	S004	DATE / TIME OF PREPARATION	M			M		YYMMDD format
	0017	Date of preparation	M	n6	:	M	n6	
F	0019	Time of preparation	M	n4	+	M	n4	HHMM format
G	0020	INTERCHANGE CONTROL REFERENCE	M	an..14	+	M	an..14	The ICR number is UNIQUE within an inventory year.
	S005	RECIPIENTS REFERENCE PASSWORD	C					
	0022	Recipient's reference / password	M	an..14	:			
	0025	Recipient's reference / password qualifier	C	an2	+			
H	0026	APPLICATION REFERENCE	C	an..14	+			
	0029	PROCESSING PRIORITY CODE	C	a1	+			"A"
	0031	ACKNOWLEDGEMENT REQUEST	C	n1	+			"1"
	0032	COMMUNICATIONS AGREEMENT ID	C	an..35	+			
	0035	TEST INDICATOR	C	n1	'			

0010 UNH - MESSAGE HEADER

Segment group: none Level: 0
 EDIFACT status: mandatory. G.A. status: mandatory.
 Maximum use: 1 per message. G.A. occurrences: 1 per message.
 Function: service segment starting and uniquely identifying a message. The message type code for the Delivery schedule message is DELFOR.
 G.A. interchange: see remarks.
 Example: **UNH+1+DELFOR:D:97A:UN+A09041'**
 A B C D E F

EDIFACT STANDARD DEFINITION						G.A. IMPLEMENTATION		
REF	TAG	NAME	ST	FT	SP	ST	FT	REMARKS
A	0062	MESSAGE REFERENCE NUMBER	M	an..14	+	M	an..14	Message Control number assigned by the sender to the message.
	S009	MESSAGE IDENTIFIER	M			M		
B	0065	Message type	M	an..6	:	M	an..6	"DELFOR".
C	0052	Message version number	M	an..3	:	M	an..3	"D".
D	0054	Message release number	M	an..3	:	M	an..3	"96A".
E	0051	Controlling agency	M	an..2	:	M	an..2	"UN".
F	0057	Association assigned code	C	an..6	+			"A09041"
	0068	COMMON ACCESS REFERENCE	C	an..35	+			
	S010	STATUS OF TRANSFER	C					
	0070	Sequence of transfer	M	n..2	:			
	0073	First and last transfer	C	a1	'			

1250 UNT - message trailer

Segment group: none Level: 0
 EDIFACT status: mandatory G.A. status: mandatory
 Maximum use: 1 per message G.A. occurrences: 1 per message
 Function: service segment ending a message, giving the total number of segments in the message and the control reference number of the message.
 G.A. interchange: see remarks.
 Example: **UNT+99+1'**
 A B

EDIFACT STANDARD DEFINITION						G.A. IMPLEMENTATION		
REF	TAG	NAME	ST	FT	SP	ST	FT	REMARKS
A	0074	NUMBER OF SEGMENTS IN THE MESSAGE	M	n..6		M	n..6	Control count of the number of segments in the message, including UNH and UNT.
B	0062	MESSAGE REFERENCE NUMBER	M	an..14		M	an..14	Number must be identical to UNH - tag 0062



**GRUPO ANTOLIN
EDIFACT: DELFOR D96A**

DSI

INFORMATION SYSTEMS POLICY 080201

1260 UNZ - INTERCHANGE TRAILER

Segment Group: none Level: 0
 EDIFACT status: mandatory G.A. status: mandatory
 Maximum use: 1 G.A. occurrences: 1 per interchange
 Function: service segment ending an interchange and giving the number of messages contained in the interchange as well as the Interchange Control Reference number.
 G.A. interchange: see remarks.
 Example: **UNZ+1+12'**
 A B

		EDIFACT STANDARD DEFINITION				G.A. IMPLEMENTATION		
REF	TAG	NAME	ST	FT	SP	ST	FT	REMARKS
A	0036	INTERCHANGE CONTROL COUNT	M	n..6	+	M	n..6	Number of messages in an interchange.
B	0020	INTERCHANGE CONTROL REFERENCE	M	an..1 4	'	M	an..1 4	Value must be the same as 0020 - Interchange Control Reference in UNB.

3.7. DATA SEGMENTS DESCRIPTION

This part includes only the segments defined in the standard and used in the subset exchanged between G.A. and its Trading Partners. The segments are described in the same sequence as they appear in the message.

The EDIFACT DELFOR segments that are not used in the subset used by G.A. are included in alphabetical sequence under item 3.9.

0020 BGM - BEGINNING OF MESSAGE

Segment group: none Level: 1
 EDIFACT status: mandatory G.A. status: mandatory
 Maximum use: 1 per message G.A. occurrences: 1 per message
 Function: segment for the unique identification of the delivery schedule document, by means of its name and its number.

G.A. interchange: see remarks.

Example: **BGM+241 +12+5'**

A B C D

REF	EDIFACT STANDARD DEFINITION					G.A. IMPLEMENTATION		
	TAG	NAME	ST	FT	SP	ST	FT	REMARKS
A	C002	DOCUMENT/MESSAGE NAME	C			C		"241" = Delivery Schedule.
	1001	Document/message name, coded	C	an..3	:	M	an..3	
	1131	Code list qualifier	C	an..3	:			
B	3055	Code list responsible agency, coded	C	an..3	:			
	1000	Document/message name	C	an..35	+			
C	C106	DOCUMENT/MESSAGE IDENTIFICATION	C					G.A. assigned release number.
	1004	Document/message number	C	an..35	:	M	an..35	
	1056	Version	C	an..9	:			
D	1060	Revision number	C	an..6	+			Function of the message. For code value see below.
	1225	MESSAGE FUNCTION, CODED	C	an..3	+	M	an..3	
	4343	RESPONSE TYPE, CODED	C	an..3	'			

CODE VALUES

1225 - Message Function, coded

- 4 Change
Message contains items that must be changed in a previous message
- 5 Replace
This schedule replaces the previous schedule.



**GRUPO ANTOLIN
EDIFACT: DELFOR D96A**

DSI

INFORMATION SYSTEMS POLICY 080201

0030 DTM - date/time/period

Segment group:	none	Level:	1
EDIFACT status:	mandatory	G.A. status:	mandatory
Maximum use:	10 per message at level 1	G.A. occurrences:	1 per message
Function:	segment specifying the date, and when relevant, the time/period of the beginning and ending of the validity period of the document. The DTM must be specified at least once to identify the Delivery Schedule document date.		
G.A. interchange:	Only may be up to 1 occurrences of DTM in position 0030: that specify the message issue date.		
Example:	DTM+137:20020611:102'	[document generation]	
	A B C		

EDIFACT STANDARD DEFINITION						G.A. IMPLEMENTATION		
REF	TAG	NAME	ST	FT	SP	ST	FT	REMARKS

Document generation date.

	C507	DATE/TIME/PERIOD	M			M		
A	2005	Date/time/period qualifier	M	an..3	:	M	an..3	"137" = Document message date/time.
B	2380	Date/time/period	C	an..35	:	M	an..35	Actual issue date of the document.
C	2379	Date/time/period format qualifier	C	an..3	'	M	an..3	"102" = CCYYMMDD.

0050 RFF - REFERENCE

Segment group:	none	Level:	1
EDIFACT status:	mandatory	G.A. status:	mandatory
Maximum use:	1 per message	G.A. occurrences:	1 per message
Function:	segment for identify the account number .		
G.A. interchange:	see segment description.		
Example:	RFF+ADE:A12828'		
	A B		

EDIFACT STANDARD DEFINITION						G.A. IMPLEMENTATION		
REF	TAG	NAME	ST	FT	SP	ST	FT	REMARKS
	C506	REFERENCE	M			M		
A	1153	Reference qualifier	M	an..3	:	M	an..3	"ADE" = Account Number.
B	1154	Reference number	C	an..35	:	C	an..35	Number attributed by G.Antolin.
	1156	Line number	C	an..6	:			
	4000	Reference version number	C	an..35	'			



Segment group 2: NAD-SG3

Segment group:	2 [SG2]	Level:	1
EDIFACT status:	conditional	G.A. status:	conditional
Maximum use:	99 per message at level 1	G.A. occurrences:	max. 3 per message
Function:	group of segments identifying names, addresses, locations, and contacts relevant to the whole Delivery Schedule.		
G.A. interchange:	see segment description.		

0080 NAD - name and address

Segment group:	2 [NAD]	Level:	1
EDIFACT status:	mandatory if segment group 2 is used	G.A. status:	mandatory
Maximum use:	1 per segment group 2 (max. 99)	G.A. occurrences:	1 per segment group 2
Function:	segment for identifying names and addresses and their functions relevant for the whole Delivery Schedule. Identification of the seller and buyer parties is recommended for the Delivery Schedule message. Exception: the identification of the recipient of the goods must be given in the detail section.		
G.A. interchange:	the message may contain maximum 3 NAD's in position 0080 as detailed below. G.A. will always send the 3rd occurrence.		
Example:	NAD+SE+084559798::10'	[Seller]	
	NAD+IV+0941A123456789 ::10'	[Invoicing responsible]	
	NAD+BY+0941A123456789 ::10++GRUPO ANTOLIN'	[buyer]	
	A B C D		

EDIFACT STANDARD DEFINITION						G.A. IMPLEMENTATION		
REF	TAG	NAME	ST	FT	SP	ST	FT	REMARKS

Supplier.

A	3035	PARTY QUALIFIER	M	an..3	+	M	an..3	"SE" = Seller.
B	C082	PARTY IDENTIFICATION DETAILS	C			M		
	3039	Party id. Identification	M	an..35	:	M	an..35	Code identifying the supplier.
C	1131	Code list qualifier	C	an..3	:			
	3055	Code list responsible agency, coded	C	an..3	+	M	an..3	For code value see below.
D	C058	NAME AND ADDRESS	C					
	3124	Name and address line	M	an..35	:			
	3124	Name and address line	C	an..35	:			
	3124	Name and address line	C	an..35	:			
	3124	Name and address line	C	an..35	:			
	3124	Name and address line	C	an..35	:			
	3124	Name and address line	C	an..35	+			
D	C080	PARTY NAME	C			C		
	3036	Party name	M	an..35	:	M	an..35	Name of the party. Not always transmitted.
	3036	Party name	C	an..35	:			
	3036	Party name	C	an..35	:			
	3036	Party name	C	an..35	:			
	3045	Party name format, coded	C	an..3	+			
D	C059	STREET	C					
	3042	Street and number/p.o. box	M	an..35	:			
	3042	Street and number/p.o. box	C	an..35	:			
	3042	Street and number/p.o. box	C	an..35	+			
D	3164	CITY NAME	C	an..35	+			
	3229	COUNTRY SUB-ENTITY IDENTIFICATION	C	an..9	+			
	3251	POSTCODE IDENTIFICATION	C	an..9	+			
	3207	COUNTRY, CODED	C	an..3	"			

0080 NAD - CONTINUED

Localitation of invoice reception for buyer.

A	3035	PARTY QUALIFIER	M	an..3	+	M	an..3	"IV" = Invoicing responsible.
	C082	PARTY IDENTIFICATION DETAILS	C			M		
B	3039	Party id. Identification	M	an..35	:	M	an..35	Code identifying the invoicing reception
	1131	Code list qualifier	C	an..3	:			
C	3055	Code list responsible agency, coded	C	an..3	+	M	an..3	For code value see below.
	C058	NAME AND ADDRESS	C					
	C080	PARTY NAME	C			C		
D	3036	Party name	M	an..35	:	M	an..35	Name of the party. Not always transmitted.
REST OF SEGMENT NOT USED.								

Ordered by.

A	3035	PARTY QUALIFIER	M	an..3	+	M	an..3	"BY" = Buyer.
	C082	PARTY IDENTIFICATION DETAILS	C			M		
B	3039	Party id. Identification	M	an..35	:	M	an..35	Code identifying the ordering party.
	1131	Code list qualifier	C	an..3	:			
C	3055	Code list responsible agency, coded	C	an..3	+	M	an..3	For code value see below.
	C058	NAME AND ADDRESS	C					
	C080	PARTY NAME	C			C		
D	3036	Party name	M	an..35	:	M	an..35	Name of the party.
REST OF SEGMENT NOT USED.								

CODE VALUES

3039 - Party Id. Identification

Individual notification by the implementing plant.

3055 - Code List Responsible Agency, coded

- 10 identifier ODETTE
- 5 identifier ISO



**GRUPO ANTOLIN
EDIFACT: DELFOR D96A**

DSI

INFORMATION SYSTEMS POLICY 080201

0110 CTA - contact information

Segment group:	2 [NAD.CTA]	Level:	2
EDIFACT status:	mandatory if segment group 2 is used	G.A. status:	mandatory
Maximum use:	1 per segment group 2	G.A. occurrences:	1 per segment group 2
Function:	Segment for identifying the delivery party information contact department or Employee		
G.A. interchange:	Segment for identifying the delivery party information contact Employee		

EDIFACT STANDARD DEFINITION						G.A. IMPLEMENTATION		
REF	TAG	NAME	ST	FT	SP	ST	FT	REMARKS
	3139	CONTACT FUNCTION, CODED	C	an..3	+	C	an..3	"IC"= information Contact
	C056	DEPARTMENT OR EMPLOYEE DETAILS	C			C		Employee identification G.A.
	3413	Department or employee identification	C	an..17	:	C	an..17	
	3412	Department or employee	C	an..35	'	C	an..35	

0120 COM - communication contact

Segment group:	2 [NAD.CTA.COM]	Level:	3
EDIFACT status:	Conditional	G.A. status:	conditional
Maximum use:	1 per segment CTA	G.A. occurrences:	1 per segment CTA.
Function:	Segment for identifying the type contact with Employee		
G.A. interchange:	Segment for identifying the type contact with Employee		

EDIFACT STANDARD DEFINITION						G.A. IMPLEMENTATION		
REF	TAG	NAME	ST	FT	SP	ST	FT	REMARKS
	C076	COMMUNICATION CONTACT	M			M		Telephone extension "TE" =Telephone
	3148	Communication number	M	an.512	:	M	an.512	
	3155	Communication channel qualifier	M	an..3	'	M	an..3	

0130 UNS - GENERAL INDICATOR

Segment group:	none	Level:	1
EDIFACT status:	mandatory	G.A. status:	mandatory
Maximum use:	1 per message	G.A. occurrences:	1 per message
Function:	segment Separator the header and detail sections.		
G.A. interchange:	see remarks.		
Example:	UNS+D'		

A

EDIFACT STANDARD DEFINITION						G.A. IMPLEMENTATION		
REF	TAG	NAME	ST	FT	SP	ST	FT	REMARKS
A	0081	SECTION IDENTIFICATION	M	an..1	:	M	an..1	"D"

Segment group 4: NAD-SG8

Segment group: 4 [NAD] Level: 1
 EDIFACT status: conditional G.A. status: conditional
 Maximum use: 1 per segment group 4 G.A. occurrences: 1 per segment group 4
 Function: group of segments needed to identify a delivery point and its attached information when the delivery point method is used
 G.A. interchange: see segment description.

0150 NAD - name and address

Segment group: 4 [NAD] Level: 1
 EDIFACT status: mandatory if segment group 4 is used G.A. status: mandatory
 Maximum use: 1 per segment group 4 G.A. occurrences: 1 per segment group 4
 Function: segment for identifying names and addresses and their functions relevant to the delivery point. All other segments in this segment group 4 following the NAD segment refer to that delivery point.
 G.A. interchange: see remarks.
 Example: NAD+CN+DOU+GRUPO ANTOLIN:DOU++59553 CUINCY+GEORGES BESSE+++FR'

		A	B	C	D	E	F	G
EDIFACT STANDARD DEFINITION						G.A. IMPLEMENTATION		
REF	TAG	NAME	ST	FT	SP	ST	FT	REMARKS
A	3035	PARTY QUALIFIER	M	an..3	+	M	an..3	"CN" = Ship To.
B	C082	PARTY IDENTIFICATION DETAILS	C			M		
	3039	Party id. Identification	M	an..35	:	M	an..35	Code identifying the plant where the material must be delivered. For code value see below.
C	1131	Code list qualifier	C	an..3	:			
	3055	Code list responsible agency, coded	C	an..3	+			
	C058	NAME AND ADDRESS	C					
	3124	Name and address line	M	an..35	:	M	an..35	Name plant
	3124	Name and address line	C	an..35	:	C	An..35	Consignee's identification number
D	3124	Name and address line	C	an..35	:			
	3124	Name and address line	C	an..35	:			
	3124	Name and address line	C	an..35	:			
	3124	Name and address line	C	an..35	:			
	3124	Name and address line	C	an..35	+			
	C080	PARTY NAME	C			C		
	3036	Party name	M	an..35	:	M	an..35	Name of the party. Not always transmitted.
3036	Party name	C	an..35	:	C	an..35	Telephone Number. Not always transmitted.	
3036	Party name	C	an..35	:				
3036	Party name	C	an..35	:				
3045	Party name format, coded	C	an..3	+				
C059	STREET	C						
3042	Street and number/p.o. box	M	an..35	:	M	an..35	Direction plant Not always transmitted.	
3042	Street and number/p.o. box	C	an..35	:	C	an..35	Postal code .Not always transmitted.	
3042	Street and number/p.o. box	C	an..35	:				
3042	Street and number/p.o. box	C	an..35	+				
3164	CITY NAME	C	an..35	+				
3229	COUNTRY SUB-ENTITY IDENTIFICATION	C	an..9	+				
3251	POSTCODE IDENTIFICATION	C	an..9	+				
3207	COUNTRY, CODED	C	an..3	"	C	an..3	Delieri party country code	



Segment group 8: LIN-IMD-LOC-DTM-FTX-SG10-SG12-SG14

Segment group: 8 [NAD] Level: 2
 EDIFACT status: conditional G.A. status: conditional
 Maximum use: 9999 per NAD in segment group 04 G.A. occurrences: max. 9999 per SG4
 Function: group of segments providing details of the individual line items for the specified delivery point.
 G.A. interchange: see segment description.

0280 LIN - line item

Segment group: 8 [NAD.LIN] Level: 2
 EDIFACT status: mandatory if segment group 8 is used G.A. status: mandatory
 Maximum use: 1 per segment group 8 (max. 9999 per NAD) G.A. occurrences: 1 per segment group 8
 Function: segment identifying the details of the product or service to be delivered, e.g. product identification. All other segments in the detail section following the LIN segment refer to the line item.
 G.A. interchange: see remarks.
 Example: LIN+++12345678:IN'

		EDIFACT STANDARD DEFINITION				G.A. IMPLEMENTATION		
REF	TAG	NAME	ST	FT	SP	ST	FT	REMARKS
	1082	LINE ITEM NUMBER	C	n..6	+			
	1229	ACTION REQUEST/ NOTIFICATION, CODED	C	an..3	+	M	an1	"3" Cancelled and replace
A	C212	ITEM NUMBER IDENTIFICATION	C			M		G.A. assigned 12 digit part number. "IN" = Buyer's item number.
	7140	Item number	C	an..35	:	M	an..35	
B	7143	Item number type, coded	C	an..3	:	M	an..3	
	1131	Code list qualifier	C	an..3	:			
	3055	Code list responsible agency, coded	C	an..3	+			
	C829	SUB-LINE INFORMATION	C					
	5495	Sub-line indicator, coded	C	an..3	:			
	1082	Line item number	C	an..6	+			
	1222	CONFIGURATION LEVEL	C	n..2	+			
	7083	CONFIGURATION, CODED	C	an..3	'			

0390 PIA - Additional product id

Segment group: 12 [NAD.LIN.PIA] Level: 3
 EDIFACT status: conditional GM status: conditional
 Maximum use: 10 per LIN in segment group 12 GM occurrences: 1 per segment group 12
 Function: segment providing additional product identification.
 GA interchange: see remarks.
 Example: PIA+1+001:EC:ZZZ+GA'

		EDIFACT STANDARD DEFINITION				GM IMPLEMENTATION		
REF	TAG	NAME	ST	FT	SP	ST	FT	REMARKS
A	4347	PRODUCT ID.FUNCTION QUALIFIER	M	an..3	+	M	an..3	"1" = Additional identification
B	C212	ITEM NUMBER IDENTIFICATION	M			M		Engineering Level
	7140	Engineering Level	C	an..35	:	C	an..35	
C	7143	Item number type, coded	C	an..3	:	C	an..3	"EC" = Engineering Level.
	1131	Code list qualifier	C	an..3	:	C	an..3	"ZZZ"
	3055	Environment Code	C	an..3	+	C	an..2	"GA"



**GRUPO ANTOLIN
EDIFACT: DELFOR D96A**

DSI

INFORMATION SYSTEMS POLICY 080201

0300 IMD - item description

Segment group:	8 [NAD.LIN.IMD]	Level:	3
EDIFACT status:	conditional	G.A. status:	conditional
Maximum use:	1 per segment LIN	G.A. occurrences:	1 per segment LIN
Function:	segment Item description		
G.A. interchange:	see remarks.		
Example:	IMD+E+63+Mando elevallunas:::12345678:IN'		

A B C

REF	EDIFACT STANDARD DEFINITION					G.A. IMPLEMENTATION		
	TAG	NAME	ST	FT	SP	ST	FT	REMARKS
	7077	ITEM DESCRIPTION TYPE, CODED	C	an..3	+	C	an..1	"E"
	7081	ITEM CHARACTERISTIC, CODED	C	an..3	+	C	an..2	"63"
A	C273	ITEM DESCRIPTION	C			C		
	7009	Item description identification	C	an..17	:	C	an..17	Reduced description of the article defined by the buyer
	1131	Code list qualifier	C	an..3	:			
	3055	Code list responsible agency, coded	C	an..3	:			
B	7008	Item description	C	an..35	:	C	an..35	Final client's part number
	7008	Item description	C	an..35	:			
	3453	Language, coded	C	an..3	+			
C	7383	SURFACE/LAYER INDICATOR, CODED	C	an..3	'	C	an..3	"IN"



**GRUPO ANTOLIN
EDIFACT: DELFOR D96A**

DSI

INFORMATION SYSTEMS POLICY 080201

0350 LOC - place/location identification

Segment group:	8 [LIN.LOC]	Level:	3
EDIFACT status:	conditional	G.A. status:	conditional
Maximum use:	999 per LIN in segment group 8	G.A. occurrences:	max. 2 per segment group 8
Function:	segment identifying a specific location to which products, as specified in the LIN-Segment group, should be delivered.		
G.A. interchange:	see remarks.		
Example:	LOC+11 +DOU'	[Receiving dock]	
	LOC+159+ALM'	[Material handling code]	

A B

EDIFACT STANDARD DEFINITION						G.A. IMPLEMENTATION		
REF	TAG	NAME	ST	FT	SP	ST	FT	REMARKS

Receiving dock identification.

A	3227	PLACE/LOCATION QUALIFIER	M	an..3	+	M	an..3	"11" = Place/port of discharge.
B	C517	LOCATION IDENTIFICATION	C			C		
	3225	Place/location identification	C	an..25	:	C	an..25	Code identifying the receiving at the plant.
	1131	Code list qualifier	C	an..3	:			
	3055	Code list responsible agency, coded	C	an..3	:			
	3224	Place/location	C	an..70	+			
	C519	RELATED LOCATION ONE ID.	C					
	3223	Related place/location one Id.	C	an..25	:			
	1131	Code list qualifier	C	an..3	:			
	3055	Code list responsible agency, coded	C	an..3	:			
	3222	Related place/location one	C	an..70	+			
	C553	RELATED LOCATION TWO ID.	C					
	3233	Related place/location two Id.	C	an..25	:			
	1131	Code list qualifier	C	an..3	:			
	3055	Code list responsible agency, coded	C	an..3	:			
	3232	Related place/location two	C	an..70	+			
	5479	RELATION, CODED	C	an..3	'			

Line feed location identification / Material Handling Code.

A	3227	PLACE/LOCATION QUALIFIER	O	an..3	+	O	an..3	"159" = Additional internal destination.
B	C517	LOCATION IDENTIFICATION	C			C		
	3225	Place/location identification	C	an..25	:	C	an..25	Code location at the plant.
	1131	Code list qualifier	C	an..3	:			
	3055	Code list responsible agency, coded	C	an..3	:			
	3224	Place/location	C	an..70	+			



**GRUPO ANTOLIN
EDIFACT: DELFOR D96A**

DSI

INFORMATION SYSTEMS POLICY 080201

0360 DTM - date/time/period

Segment group:	8 [LIN.DTM]	Level:	3
EDIFACT status:	conditional	G.A. status:	conditional
Maximum use:	5 per LIN	G.A. occurrences:	1 PER LIN
Function:	segment providing the date/time/period of the reference.		
G.A. interchange:	see segment group description.		
Example:	DTM+257:20020919:102'		

A B C

EDIFACT STANDARD DEFINITION						G.A. IMPLEMENTATION		
REF	TAG	NAME	ST	FT	SP	ST	FT	REMARKS
	C507	DATE/TIME/PERIOD	M					
A	2005	Date/time/period qualifier	M	an..3	:	M	an..3	"257" = Delevery date/time, last
B	2380	Date/time/period	C	an..35	:	C	an..35	Last delevery data value
C	2379	Date/time/period format qualifier	C	an..3	'	C	an..3	"102"

0470 FTX - free text

Segment group:	12 (LIN.FTX)	Level:	3
EDIFACT status:	conditional	G.A. status:	conditional
Maximum use:	5 per LIN in segment group 12	G.A. occurrences:	max. 1 per segment
Function:	segment with free text in coded or clear form to give further clarification when required.		
G.A. interchange:	see remarks		
Example:	FTX+LIN+++TEXT'		

A B

EDIFACT STANDARD DEFINITION						G.A. IMPLEMENTATION		
REF	TAG	NAME	ST	FT	SP	ST	FT	REMARKS
A	4451	TEXT SUBJECT QUALIFIER	M	an..3	+	M	an..3	"LIN" = Specific information by item.
	4453	TEXT FUNCTION, CODED	C	an..3	+			
	C107	TEXT REFERENCE	C					
	4441	Free text identification	M	an..17	:			
	1131	Code list qualifier	C	an..3	:			
B	3055	Code list responsible agency, coded	C	an..3	+			
	C108	TEXT LITERAL	C			C		
	4440	Free text	M	an..70	:	C	an..70	Textual information.
	4440	Free text	C	an..70	:	C	an..70	Textual information.
	4440	Free text	C	an..70	:	C	an..70	Textual information.
	4440	Free text	C	an..70	:			
	4440	Free text	C	an..70	+			
3453	LANGUAGE, CODED	C	an..3	'				



**GRUPO ANTOLIN
EDIFACT: DELFOR D96A**

DSI

INFORMATION SYSTEMS POLICY 080201

Segment group 10: RFF

Segment group:	13 [GIS.LIN.SG13]	Level:	3
EDIFACT status:	conditional	G.A. status:	conditional
Maximum use:	10 per LIN in segment group 12	G.A. occurrences:	1 per segment group 12
Function:	group of segments giving references related to the line item and where necessary, their dates.		
G.A. interchange:	see segment description.		

0420 RFF - REFERENCE

Segment group:	10 [GIS.LIN.RFF]	Level:	3
EDIFACT status:	mandatory if segment group 13 is used	G.A. status:	mandatory
Maximum use:	1 per segment group 10 (max. 10)	G.A. occurrences:	1 per segment group 10
Function:	segment for identifying documents relating to the line item, e.g. a contract and its appropriate line item.		
G.A. interchange:	see remarks.		
Example:	RFF+ON:2111777:00010:2345677'		
	A	B	C D

		EDIFACT STANDARD DEFINITION				G.A. IMPLEMENTATION		
REF	TAG	NAME	ST	FT	SP	ST	FT	REMARKS
	C506	REFERENCE	M			M		
A	1153	Reference qualifier	M	an..3	:	M	an..3	"ON" = Order number. Number of the Purchase Order relevant for the article defined in the preceding LIN.
B	1154	Reference number	C	an..35	:	C	an..35	
C	1156	Line number	C	an..6	:	C	an..5	Item number order
D	4000	Reference version number	C	an..35	'	C	an..35	Last document (Delivery Schedule).

REQUIREMENT INFORMATION

Segment group 12: QTY-SCC-DTM-SG13

Segment group: 12 [.LIN.SG12] Level: 3
 EDIFACT status: conditional G.A. status: conditional
 Maximum use: 999 per LIN in segment group 12 G.A. occurrences: max. 999 per SG12
 Function: group of segments specifying the schedule information for the product identified in the LIN segment. This segment group provides the schedule for the identified delivery point and product.
 G.A. interchange: see description of different occurrences of segment group 12.

SEGMENT GROUP 12

QUANTITY TO BE DELIVERED.

0480.[LIN].QTY
 0490.[LIN.QTY].SCC
 0500.[LIN.QTY.SCC].DTM

Quantity to be delivered
 Schedule status & delivery frequency
 Delivery date/time

0480 QTY - quantity

Segment group: 12[.LIN.QTY] Level: 3
 EDIFACT status: mandatory if segment group 12 is used G.A. status: mandatory
 Maximum use: 1 per segment group 12 (max. 999 per SCC) G.A. occurrences: 1 per segment group 12
 Function: segment to specify scheduled quantities which may be related to schedule(s) and, or pattern established in the following DTM segment, e.g. delivery quantity for a specified date.
 G.A. interchange: see remarks.
 Example: **QTY+113:9999:PCE'**

A B C

EDIFACT STANDARD DEFINITION						G.A. IMPLEMENTATION		
REF	TAG	NAME	ST	FT	SP	ST	FT	REMARKS
	C186	QUANTITY DETAILS	M			M		
A	6063	Quantity qualifier	M	an..3	:	M	an..3	"113" = Discrete Quantity. Forecasted quantity for the time period defined by the next SCC. For code value see UN/ECE Recommendation No. 20.
B	6060	Quantity	M	n..15	:	M	n..15	
C	6411	Measure unit qualifier	C	an..3	'	C	an..3	

0610 SCC - SCHEDULING CONDITIONS

Segment group:	12 [.LIN.QTY.SCC]	Level:	4
EDIFACT status:	mandatory if segment group 12 is used	G.A. status:	mandatory
Maximum use:	1 per segment group 12	G.A. occurrences:	1 per segment group 12
Function:	segment specifying the status of the schedule. Optionally a delivery pattern can be established, e.g. firm or proposed delivery pattern.		
G.A. interchange:	See remarks		
Example:	SCC+1++W'	[weekly quantities]	
	SCC+4'	[Flexible interval]	
	A B C		

		EDIFACT STANDARD DEFINITION					G.A. IMPLEMENTATION		
REF	TAG	NAME	ST	FT	SP	ST	FT	REMARKS	
A	4017	DELIVERY PLAN STATUS INDICATOR, CODED	M	an..3	+	M	an..3	Code value qualifying the quantity defined in the segment QTY. For code value see below.	
	4493	DELIVERY REQUIREMENTS, CODED	C	an..3	+				
B	C329	<i>PATTERN DESCRIPTION</i>	C			C		Definition of the time unit for the quantity defined in the preceding QTY. For code value see below.	
	2013	Frequency, coded	C	an..3	:	C	an..3		
C	2015	Despatch pattern, coded	C	an..3	:	C	an..3		
	2017	Despatch pattern timing, coded	C	an..3	'				

CODE VALUES

4017 - Delivery Plan Status Indicator, coded

- 1 Firm quantity
- 4 Planning quantity

2013 - Frequency, coded

- " " Flexible interval
- "W" Weekly



INFORMATION SELLER

SEGMENT GROUP 12

LAST RECEPTION AND CUMULATIVE

0480.[LIN].QTY

0520.[.LIN.QTY.SG13].RFF

Quantity last reception a Cumulative
Last reception

0480 QTY - quantity

Description: see quantity information 1.

Example: **QTY+12:99999:PCE'**

A B C

		EDIFACT STANDARD DEFINITION				G.A. IMPLEMENTATION		
REF	TAG	NAME	ST	FT	SP	ST	FT	REMARKS
A	C186 6063	QUANTITY DETAILS Quantity qualifier	M M	an..3	:	M M	an..3	"12" = Last quantity reception "70" = Cumulative quantity received. "78" = Cumulative quantity ordered. quantity For code value see UN/ECE Recommendation No. 20.
B	6060	Quantity	M	n..15	:	M	n..15	
C	6411	Measure unit qualifier	C	an..3	'	C	an..3	

The delayed is NOT included in first REQUIREMENT .

The delayed is notified by difference between Cumulative quantity ordered and Cumulative quantity received.

Example:

Quantity in Delay = Cumulative quantity ordered - Cumulative quantity received

100 = QTY+78+**1000** - QTY+70+**900**

0520 RFF - REFERENCE

Segment group: 10 [LIN.QTY.RFF]

EDIFACT status: mandatory if segment group 13 is used

Maximum use: 1 per segment group 8 (max. 10)

Function: segment for identifying documents relating to the line item, e.g. Last reception.

G.A. interchange: see remarks.

Example: RFF+AAK:12345'

Level: 4

G.A. status: mandatory

G.A. occurrences: 1 per segment group 8

A B

		EDIFACT STANDARD DEFINITION				G.A. IMPLEMENTATION		
REF	TAG	NAME	ST	FT	SP	ST	FT	REMARKS
	C506	REFERENCE	M			M		
A	1153	Reference qualifier	M	an..3	:	M	an..3	"AAK" = Last delivery note. Last delivery note reception by buyer.
B	1154	Reference number	C	an..35	:	C	an..35	
C	1156	Line number	C	an..6	:			
D	4000	Reference version number	C	an..35	'			



**GRUPO ANTOLIN
EDIFACT: DELFOR D96A**

DSI

INFORMATION SYSTEMS POLICY 080201

0570 QTY - quantity

Segment group:	14 [LIN.PAC.QTY]	Level:	4
EDIFACT status:	conditional	G.A. status:	conditional
Maximum use:	5 per PAC in segment group 14	G.A. occurrences:	1 per segment group 14
Function:	segment to specify pertinent quantities relating to the physical units (packages) described in the PAC segment.		
G.A. interchange:	see remarks.		
Example:	QTY+52:75:PCE' A B C		

		EDIFACT STANDARD DEFINITION				G.A. IMPLEMENTATION		
REF	TAG	NAME	ST	FT	SP	ST	FT	REMARKS
	C186	QUANTITY DETAILS	M			M		
A	6063	Quantity qualifier	M	an..3	:	M	an..3	"52" = Quantity per pack.
B	6060	Quantity	M	n..15	:	M	n..15	Quantity.
C	6411	Measure unit qualifier	C	an..3	'	C	an..3	For code value see UN/ECE Recommendation No. 20.



**GRUPO ANTOLIN
EDIFACT: DELFOR D96A**

DSI

INFORMATION SYSTEMS POLICY 080201

1240 FTX - free text

Segment group:	none	Level:	1
EDIFACT status:	conditional	G.A. status:	conditional
Maximum use:	5 per message	G.A. occurrences:	max. 5 per message
Function:	segment with free text in coded or clear form to give further clarification when required.		
G.A. interchange:	see remarks.		
Example:	FTX+AAI+++TEXT:text:text'		
	A	B	C D

REF	EDIFACT STANDARD DEFINITION					G.A. IMPLEMENTATION		
	TAG	NAME	ST	FT	SP	ST	FT	REMARKS
A	4451	TEXT SUBJECT QUALIFIER	M	an..3	+	M	an..3	"AAI" = Information for global message.
	4453	TEXT FUNCTION, CODED	C	an..3	+			
	C107	TEXT REFERENCE	C					
	4441	Free text identification	M	an..17	:			
	1131	Code list qualifier	C	an..3	:			
	3055	Code list responsible agency, coded	C	an..3	+			
B	C108	TEXT LITERAL	C			C		
	4440	Free text	M	an..70	:	M	an..70	Textual information
C	4440	Free text	C	an..70	:	M	an..70	Textual information
D	4440	Free text	C	an..70	:	C	an..70	Textual information
	4440	Free text	C	an..70	:			
	4440	Free text	C	an..70	+			
	3453	LANGUAGE, CODED	C	an..3	'			

3.8. EXAMPLE OF MESSAGE

Following example is only illustrative and does not necessarily reflect an existing situation. It **MAY NEVER** be used as a basis for programming or implementing this message.

```
UNB+UNOC:2+0941A090493050+SELLER2002201+020927:1453+001879741+++A'  
UNH+50309+DELFOR:D:96A:UN:A09041'  
BGM+241+1879741+5'  
DTM+137:20020926:102'  
RFF+ADE:3048'  
NAD+BY+AJSRA::10'  
NAD+IV+AJSRA::10+GRUPO ANTOLIN PALENCIA'  
CTA+IC+PILAR '  
COM+979777969:TE'  
NAD+SE+GRUPO ANTOLIN PALENCIA::10+SELLER, S.A.'  
CTA+IC+SUSANA'  
COM+915147181:TE'  
UNS+D'  
NAD+CN+PAL+GRUPO ANTOLIN PALENCIA:PAL+PILAR :979777000+34190 VILLAMURIEL DE CERRATO+C/ COSTANILLA,  
S/N+++ES'  
LIN++3+165001551-01:IN'  
PIA+1+001:EC:ZZZ+GA'  
IMD+E+63+8200232189 CB B-8'  
LOC+11+PAL'  
LOC+159+ALM'  
DTM+257:20020515:102'  
FTX+LIN+++8200232189 CB B-84-D-P BASE CIZQ.'  
RFF+ON:1879740'  
QTY+113:10:PCE'  
SCC+1'  
DTM+63:20020930:102'  
DTM+64:20020930:102'  
QTY+113:10:PCE'  
SCC+1'  
DTM+63:20021007:102'  
DTM+64:20021007:102'  
QTY+113:40:PCE'  
SCC+4++W'  
DTM+63:20021020:102'  
DTM+64:20021014:102'  
QTY+113:30:PCE'  
SCC+4++W'  
DTM+63:20021027:102'  
DTM+64:20021021:102'  
QTY+113:40:PCE'  
SCC+4++W'  
DTM+63:20021103:102'  
DTM+64:20021028:102'  
QTY+113:200:PCE'  
SCC+4'  
DTM+63:20021201:102'  
DTM+64:20021104:102'  
QTY+113:200:PCE'  
SCC+4'  
DTM+63:20030101:102'  
DTM+64:20021202:102'  
QTY+12:4:PCE'  
RFF+AAK:317800'  
QTY+70:12'  
QTY+78:21'  
PAC+++BAC-O-6433::92:600X400X314'  
QTY+52:0:PCE'  
LIN++3+165001551-02:IN'  
PIA+1+001:EC:ZZZ+GA'  
IMD+E+63+8200232191 CB B-8'  
LOC+11+PAL'
```



**GRUPO ANTOLIN
EDIFACT: DELFOR D96A**

DSI

INFORMATION SYSTEMS POLICY 080201

LOC+159+ALM'
DTM+257:20020516:102'
FTX+LIN+++8200232191 CB B-84-D-P P RE-EL Y RBT CIZ'
RFF+ON:1879740'
QTY+113:10:PCE'
SCC+1'
DTM+63:20020930:102'
DTM+64:20020930:102'
QTY+113:4:PCE'
SCC+1'
DTM+63:20021007:102'
DTM+64:20021007:102'
QTY+113:6:PCE'
SCC+4++W'
DTM+63:20021020:102'
DTM+64:20021014:102'
QTY+113:30:PCE'
SCC+4++W'
DTM+63:20021027:102'
DTM+64:20021021:102'
QTY+113:40:PCE'
SCC+4++W'
DTM+63:20021103:102'
DTM+64:20021028:102'
QTY+113:200:PCE'
SCC+4'
DTM+63:20021201:102'
DTM+64:20021104:102'
QTY+113:200:PCE'
SCC+4'
DTM+63:20030101:102'
DTM+64:20021202:102'
QTY+12:11:PCE'
RFF+AAK:317768'
QTY+70:57'
QTY+78:61'
PAC+++BAC-O-6433::92:600X400X314'
QTY+52:0:PCE'
LIN++3+165001551-03:IN'
PIA+1+001:EC:ZZZ+GA'
IMD+E+63+8200232192 CB B-8'
LOC+11+PAL'
LOC+159+ALM'
DTM+257:20020509:102'
FTX+LIN+++8200232192 CB B-84-D-P P ML R-EL RBT CIZ'
RFF+ON:1879740'
QTY+113:10:PCE'
SCC+1'
DTM+63:20020930:102'
DTM+64:20020930:102'
QTY+113:10:PCE'
SCC+1'
DTM+63:20021007:102'
DTM+64:20021007:102'
QTY+113:40:PCE'
SCC+4++W'
DTM+63:20021020:102'
DTM+64:20021014:102'
QTY+113:30:PCE'
SCC+4++W'
DTM+63:20021027:102'
DTM+64:20021021:102'
QTY+113:40:PCE'
SCC+4++W'
DTM+63:20021103:102'
DTM+64:20021028:102'
QTY+113:200:PCE'
SCC+4'
DTM+63:20021201:102'
DTM+64:20021104:102'
QTY+113:200:PCE'



**GRUPO ANTOLIN
EDIFACT: DELFOR D96A**

DSI

INFORMATION SYSTEMS POLICY 080201

SCC+4'
DTM+63:20030101:102'
DTM+64:20021202:102'
QTY+12:13:PCE'
RFF+AAK:317746'
QTY+70:52'
QTY+78:64'
PAC+++BAC-O-6433::92:600X400X314'
QTY+52:0:PCE'
UNS+S'
FTX+AAI+++THE NEXT WEEK WE ARE ON HOLIDAY'
UNT+220+50309'
UNZ+1+001879741'

For ease of reading the message has been shown with each segment type on a separate line, which will not be the case when the message is normally transmitted. On the next page there is an example of how the same message will look like when transmitted.

UNB+UNOC:2+0941A090493050+SELLER2002201+020927:1453+001879741+++A'UNH+50309+DELFOR:D:96A:UN:A09041'BGM+241+1879741+5'DTM+137:20020926:102'RFF+ADE:3048'NAD+BY+AJSRA::10'NAD+IV+AJSRA::10+GRUPO ANTOLIN PALENCIA'CTA+IC+PILAR
'COM+979777969:TE'NAD+SE+GRUPO ANTOLIN PALENCIA::10+SELLER,
S.A.'CTA+IC+SUSANA'COM+915147181:TE'UNS+D'NAD+CN+PAL+GRUPO ANTOLIN
PALENCIA:PAL+PILAR :979777000+34190 VILLAMURIEL DE CERRATO+C/ COSTANILLA,
S/N+++ES'LIN++3+165001551-01:IN'IMD+E+63+8200232189 CB B-
8'LOC+11+PAL'LOC+159+ALM'DTM+257:20020515:102'FTX+LIN+++8200232189 CB B-84-D-P BASE
CIZQ.'RFF+ON:1879740'QTY+113:10:PCE'SCC+1'DTM+63:20020930:102'DTM+64:20020930:102'QTY
+113:10:PCE'SCC+1'DTM+63:20021007:102'DTM+64:20021007:102'QTY+113:40:PCE'SCC+4++W'DT
M+63:20021020:102'DTM+64:20021014:102'QTY+113:30:PCE'SCC+4++W'DTM+63:20021027:102'DT
M+64:20021021:102'QTY+113:40:PCE'SCC+4++W'DTM+63:20021103:102'DTM+64:20021028:102'QTY
+113:200:PCE'SCC+4'DTM+63:20021201:102'DTM+64:20021104:102'QTY+113:200:PCE'SCC+4'DTM+
63:20030101:102'DTM+64:20021202:102'QTY+12:4:PCE'RFF+AAK:317800'QTY+70:12'QTY+78:21'PA
C+++BAC-O-6433::92:600X400X314'QTY+52:0:PCE'LIN++3+165001551-02:IN'IMD+E+63+8200232191
CB B-8'LOC+11+PAL'LOC+159+ALM'DTM+257:20020516:102'FTX+LIN+++8200232191 CB B-84-D-P P
RE-EL Y RBT
CIZ'RFF+ON:1879740'QTY+113:10:PCE'SCC+1'DTM+63:20020930:102'DTM+64:20020930:102'QTY+1
13:4:PCE'SCC+1'DTM+63:20021007:102'DTM+64:20021007:102'QTY+113:6:PCE'SCC+4++W'DTM+63:
20021020:102'DTM+64:20021014:102'QTY+113:30:PCE'SCC+4++W'DTM+63:20021027:102'DTM+64:2
0021021:102'QTY+113:40:PCE'SCC+4++W'DTM+63:20021103:102'DTM+64:20021028:102'QTY+113:2
00:PCE'SCC+4'DTM+63:20021201:102'DTM+64:20021104:102'QTY+113:200:PCE'SCC+4'DTM+63:200
30101:102'DTM+64:20021202:102'QTY+12:11:PCE'RFF+AAK:317768'QTY+70:57'QTY+78:61'PAC+++
BAC-O-6433::92:600X400X314'QTY+52:0:PCE'LIN++3+165001551-03:IN'IMD+E+63+8200232192 CB
B-8'LOC+11+PAL'LOC+159+ALM'DTM+257:20020509:102'FTX+LIN+++8200232192 CB B-84-D-P P ML
R-EL RBT
CIZ'RFF+ON:1879740'QTY+113:10:PCE'SCC+1'DTM+63:20020930:102'DTM+64:20020930:102'QTY+1
13:10:PCE'SCC+1'DTM+63:20021007:102'DTM+64:20021007:102'QTY+113:40:PCE'SCC+4++W'DTM+
63:20021020:102'DTM+64:20021014:102'QTY+113:30:PCE'SCC+4++W'DTM+63:20021027:102'DTM+6
4:20021021:102'QTY+113:40:PCE'SCC+4++W'DTM+63:20021103:102'DTM+64:20021028:102'QTY+11
3:200:PCE'SCC+4'DTM+63:20021201:102'DTM+64:20021104:102'QTY+113:200:PCE'SCC+4'DTM+63:
20030101:102'DTM+64:20021202:102'QTY+12:13:PCE'RFF+AAK:317746'QTY+70:52'QTY+78:64'PAC+
++BAC-O-6433::92:600X400X314'QTY+52:0:PCE'UNS+S' FTX+AAI+++THE NEXT WEEK WE ARE ON
HOLIDAY'UNT+217+50309'UNZ+1+001879741'




**GRUPO ANTOLIN
EDIFACT: DELFOR D96A**

DSI

INFORMATION SYSTEMS POLICY 080201

GRUPO ANTOLIN PLANT CODES

GRUPO ANTOLIN PLANT CODES		
GRUPO ANTOLIN - Plant	Plant Code	Mailbox Code
<p>This information full and updated is available in EDI Communications Supplier Form Chapter 6. Grupo Antolin Factories Codes</p> <div style="border: 1px solid black; padding: 10px; margin: 10px auto; width: 80%;">  </div> <p>Mailbox code value depends on Communications Type and Normative. See Chapter 7.A. MAILBOX – SFID</p>		